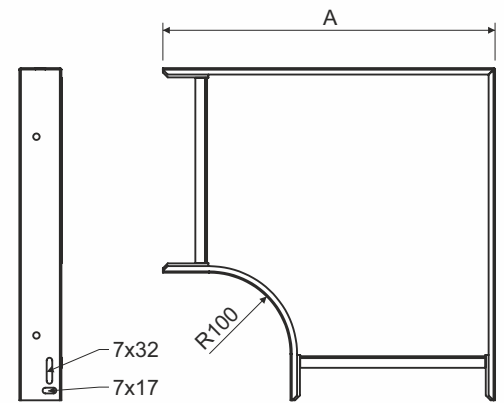


item number	for width of cable tray	for height of cable tray	A	thickness of metal sheet	weight kg/ps	amount of bolts for connection	🔥
NO 90X50X62_S	62	50	222	0,7	0,38	4	🔥
NO 90X50X62_F					0,45		
NO 90X50X125_S	125	50	285	0,7	0,57	4	🔥
NO 90X50X125_F					0,67		
NO 90X50X250_S	250	50	410	0,7	1,08	4	🔥
NO 90X50X250_F					1,44		
NO 90X100X125_S	125	100	285	0,7	0,80	8	🔥
NO 90X100X125_F					0,94		
NO 90X100X250_S	250	100	410	0,7	1,38	8	🔥
NO 90X100X250_F					1,84		
NO 90X100X500_S	500	100	660	0,7	2,59	8	🔥
NO 90X100X500_F					3,47		



product description:

The elbow 90° is used to bend cable trays running through MARS cable trays by 90° in a horizontal direction.

For the elbows NO 90X100X500 the outer right angle of the side walls is replaced by skewed cut.

To fix the connection use the bolt NSM 6X10. To protect the cables, the bolt head is inside the cable tray.

A bolt with a GMT surface finish is used for a tray with an F surface finish.

These items can also be ordered in a varnished version.

surface finish:

S - Pre-Galvanized, zinc-layer 15 - 27 µm
 F - Hot Dip Galvanized, zinc-layer 45 µm (min. 35 µm)

sales amount:

á 1 pc

meets the requirements:

ČSN EN 61537:02

classification 🔥:

ČSN 73 0895 P 90-R
 DIN 4102-12 E 90
 STN 92 0205 PS 90
 Fire classification depends on the specific conditions of the cable tray, detailed in the catalog Systems with maintained functionality in fire

🔥 products are approved for non-standard constructions

storage:

EN 60721-3-1

