

item number: **DZCZ_VEZ**
DZCZ_VNEZ
INOXDZCZ_VIX

product description: The central hanger is designated for the hanging of the wire tray from the ceiling. For the hanging it is necessary to use two central hanger pieces (2 pcs must be ordered and), two nuts M 8 and the threaded rod \varnothing 8 mm.

Recommended for a tray width of max. 300 mm.

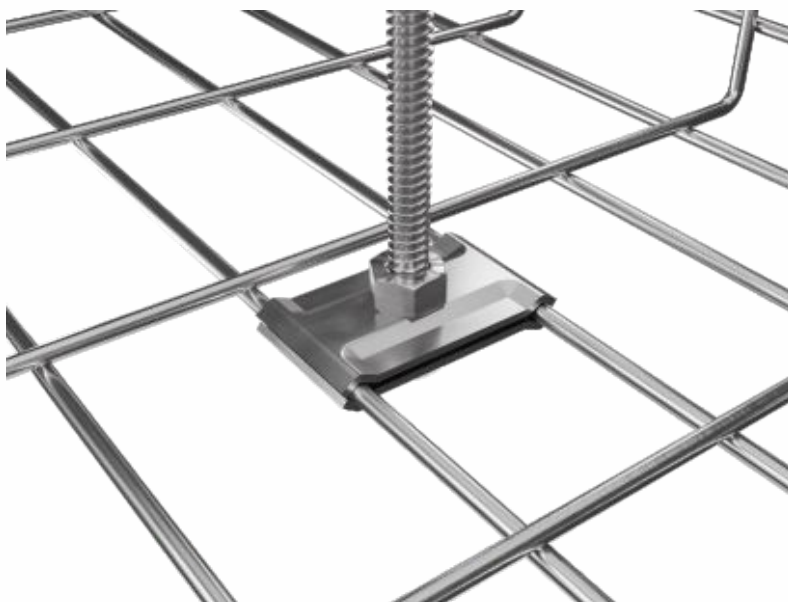
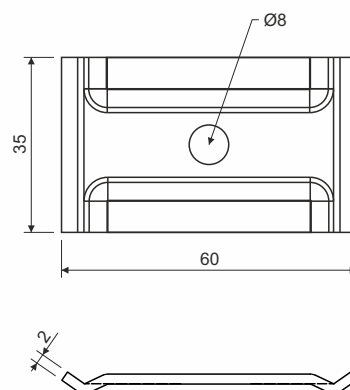
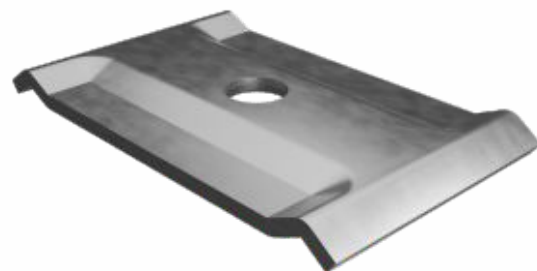
The hanger is not intended for hanging of the trays of dimensions 35x60, 60x60, 35x150, 60x150.

It can also be used fixing for the base in curves or junctions.

surface finish: VEZ - Electrolytic Zink coating
 VNEZ - Non-electrolytic Zink flake coating
 VIX - Stainless steel AISI 304

meets the requirements: EN 61537:02

storage: EN 60721-3-1



 **WARNING****Risk of injury from cutting**

Although the cable trays are produced with maximum effort to minimize sharper edges, it is necessary to wear protective gloves to carry, grip and work with cable elements.

Risk of system collapse

It is essential to strictly adhere to the maximum load limits for individual cable support systems and ensure proper installation according to the installation manual. The load capacity charts for each system are provided in the manufacturer's catalog, available in printed form or on the manufacturer's website. The specified load limits do not account for any additional loads, such as snow, wind, or seismic forces.

Electricity injury

As individual components of cable management systems are made of electrical conductive material, it is essential not to work with a system near live electrical parts. Infringement of the safety regulations may cause serious injury of health or death.

Safe Use

Under normal and foreseeable conditions of use, there are no risks to consumers, provided that proper installation and usage are carried out in accordance with the installation manual.

recycling codes:



central hanger



plastic bag